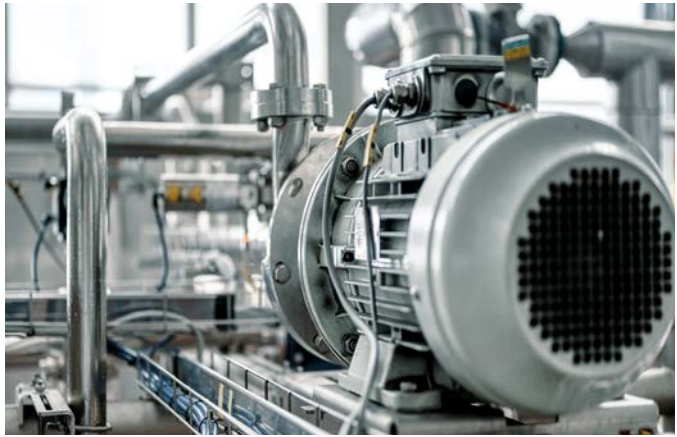


**Europa Strips**

**EASILY CONNECTED**

Connecting strips for various installations.



# ECONOMICAL TERMINAL STRIPS WITH CONSISTENT **RELIABILITY.**

Also known as Europa Strips, these terminal blocks come in divisible strips and are perfect for mounting electrical connections on a flat surface. Two versions are available, a regular version and a self-extinguishing version which complies with DIN 60335-1.

## General features of Europa strips:

Terminals with wire protection (e.g. type 6E DS) are fitted with a wire protection guard inside the clamping body, which prevents damage to the connected wire. All parts are captive in the insulating housing.

### STANDARD EURO CLAMP

- + Insulating housing: Polyamide 6 natural / UL 94-V2  
max. 30s afterburn / afterglow
- + Hardness test at 125 °C
- + Clamping body nickel plated brass
- + Protection: phosphor bronze
- + Clamping screws: galvanized steel and passivated

### ADDITIONAL NO-FLAME VERSION: DIN EN 60335-1

- + Insulating housing (glow): Polyamide 6 white / UL 94-V2
- + 750 °C self extinguishing after 2s

### THE BENEFITS TO YOU:

- + SIMPLE
- + DIVISIBLE
- + ECONOMICAL
- + RELIABLE CONNECTIONS
- + WIRE PROTECTION GUARD
- + COMPLIANCE TO DIN 60335-1



## TWO VERSIONS

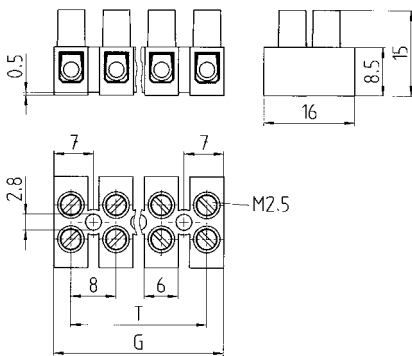
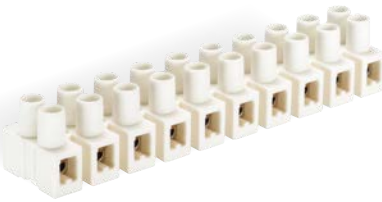
- + 21.3xx.xx53.x = Original V2 part number
- + 21.3xx.xx57.x = Glow Wire V2 Version (DIN 60335-1)

# EUROPA TERMINAL STRIPS DIVISIBLE

## TYPE 4 E



### Type 4 E without wire protection



without wire protection GW (glow wire)				
Poles	G	T	Art. No.	PU
1	6	-	21.304.0157.0	5000
2	14	8	21.304.0257.0	2000
3	22	16	21.304.0357.0	2000
4	30	24	21.304.0457.0	2000
5	38	32	21.304.0557.0	1000
6	46	40	21.304.0657.0	1000
7	54	48	21.304.0757.0	500
8	62	56	21.304.0857.0	500
9	70	64	21.304.0957.0	500
10	78	72	21.304.1057.0	500
11	86	80	21.304.1157.0	500
12	94	88	21.304.1257.0	500

### Type 4 E DS with wire protection

with wire protection GW (glow wire)				
Poles	G	T	Art. No.	PU
1	6	-	21.305.0157.0	5000
2	14	8	21.305.0257.0	2000
3	22	16	21.305.0357.0	2000
4	30	24	21.305.0457.0	2000
5	38	32	21.305.0557.0	1000
6	46	40	21.305.0657.0	1000
7	54	48	21.305.0757.0	500
8	62	56	21.305.0857.0	500
9	70	64	21.305.0957.0	500
10	78	72	21.305.1057.0	500
11	86	80	21.305.1157.0	500
12	94	88	21.305.1257.0	500

ACCESSORIES	Art. No.	
Spacer	1000 mm	07.469.1380.0

#### TECHNICAL DATA

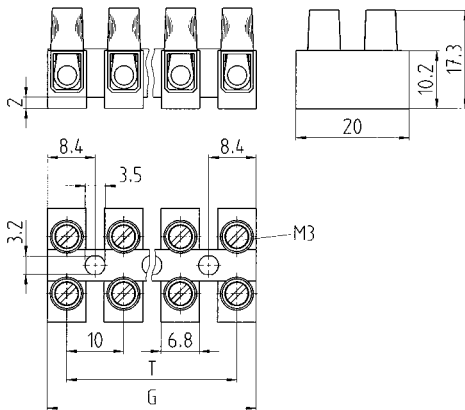
Screw size	M2.5
Wire strip length	4.5 mm

Approvals	IEC			UL			CSA	
Rated voltage	400 V			250 V			300 V	600 V (with spacer)
Rated current	17.5 A			20 A (Factory)	15 A (Field)	10 A (DS)	10 A	
Rated cross-section								
solid/stranded	0.75 - 1.5 mm <sup>2</sup>	0.75 - 1.0 mm <sup>2</sup> (Stranded)	0.75 - 1.0 mm <sup>2</sup> (DS)	AWG 20-14	AWG 22-16 (DS)		AWG 22-16	

Glow wire (GW) parts use a material with higher flame resistance according to DIN EN/IEC 60335-1

# EUROPA TERMINAL STRIPS DIVISIBLE

## TYPE 6 E



### Type 6 E without wire protection

Poles	G	T	without wire protection Art. No.	without wire protection GW (glow wire) Art. No.	PU
1	7	-	21.310.0153.0	21.310.0157.0	1500
2	17	10	21.310.0253.0	21.310.0257.0	1500
3	27	20	21.310.0353.0	21.310.0357.0	1500
4	37	30	21.310.0453.0	21.310.0457.0	1000
5	47	40	21.310.0553.0	21.310.0557.0	500
6	57	50	21.310.0653.0	21.310.0657.0	500
7	67	60	21.310.0753.0	21.310.0757.0	50
8	77	70	21.310.0853.0	21.310.0857.0	50
9	87	80	21.310.0953.0	21.310.0957.0	50
10	97	90	21.310.1053.0	21.310.1057.0	50
11	107	100	21.310.1153.0	21.310.1157.0	250
12	117	110	21.310.1253.0	21.310.1257.0	250

### Type 6 E DS with wire protection

Poles	G	T	with wire protection Art. No.	with wire protection GW (glow wire) Art. No.	PU
1	7	-	21.311.0153.0	21.311.0157.0	1500
2	17	10	21.311.0253.0	21.311.0257.0	1500
3	27	20	21.311.0353.0	21.311.0357.0	1500
4	37	30	21.311.0453.0	21.311.0457.0	1000
5	47	40	21.311.0553.0	21.311.0557.0	500
6	57	50	21.311.0653.0	21.311.0657.0	500
7	67	60	21.311.0753.0	21.311.0757.0	50
8	77	70	21.311.0853.0	21.311.0857.0	50
9	87	80	21.311.0953.0	21.311.0957.0	50
10	97	90	21.311.1053.0	21.311.1057.0	50
11	107	100	21.311.1153.0	21.311.1157.0	250
12	117	110	21.311.1253.0	21.311.1257.0	250

ACCESSORIES	Art. No.
Jumper 12 poles	07.250.1027.0
Spacer 1000 mm	07.470.1380.0

Other pole counts available for jumpers & spacers

#### TECHNICAL DATA

Screw size	M3				
Wire strip length	5.5 mm				
<b>Approvals</b>	<b>IEC</b>	<b>RU</b>		<b>SA</b>	
Rated voltage	400 V	300 V	600 V (with spacer)	300 V	600 V (with spacer)
Rated current	24 A	20 A	15 A (DS)	20 A	
Rated cross-section solid/stranded	1.0 - 4 mm <sup>2</sup>	1.0 - 2.5 mm <sup>2</sup> (Stranded)	AWG 22-12	AWG 22-14 (DS)	AWG 22-14

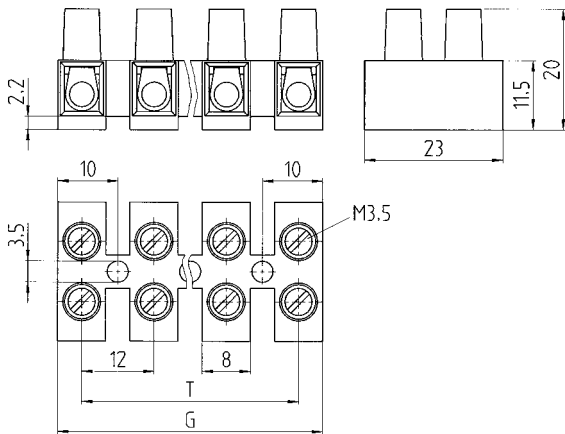
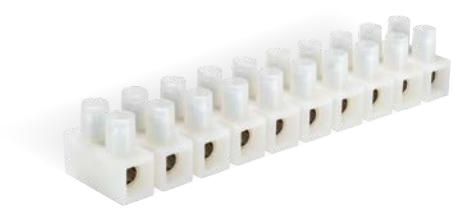
Glow wire (GW) parts use a material with higher flame resistance according to DIN EN/IEC 60335-1

# EUROPA TERMINAL STRIPS DIVISIBLE

## TYPE 10 E



### Type 10 E without wire protection



Poles	G	T	without wire protection Art. No.	without wire protection GW (glow wire) Art. No.	PU
1	8	-	21.330.5153.0	21.330.5157.0	2000
2	20	12	21.330.5253.0	21.330.5257.0	1000
3	32	24	21.330.5353.0	21.330.5357.0	500
4	44	36	21.330.5453.0	21.330.5457.0	250
5	56	48	21.330.5553.0	21.330.5557.0	250
6	68	60	21.330.5653.0	21.330.5657.0	250
7	80	72	21.330.5753.0	21.330.5757.0	250
8	92	84	21.330.5853.0	21.330.5857.0	200
9	104	96	21.330.5953.0	21.330.5957.0	200
10	116	108	21.330.6053.0	21.330.6057.0	200
12	140	132	21.330.6253.0	21.330.6257.0	250

ACCESSORIES		Art. No.
Jumper	30 poles	07.253.0027.0
Spacer	1000 mm	07.471.1380.0

Other pole counts available for jumpers & spacers

#### TECHNICAL DATA

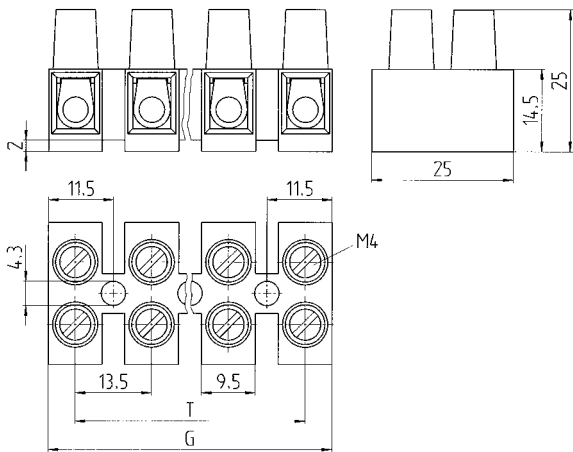
Screw size	M3.5		
Wire strip length	6 mm		
<b>Approvals</b>	<b>IEC</b>	<b>RU</b>	<b>SP</b>
Rated voltage	500 V	300 V	300 V
Rated current	32 A	40 A (Factory)	30 A (Field)
Rated cross-section		600 V (with spacer)	600 V (with spacer)
solid/stranded	1.5 - 6 mm <sup>2</sup>	30 A (Field)	25 A
	1.5 - 4 mm <sup>2</sup> (Stranded)	AWG 22-10	AWG 22-12

Glow wire (GW) parts use a material with higher flame resistance according to DIN60335-1



# EUROPA TERMINAL STRIPS DIVISIBLE

## TYPE 16 E



### Type 16 E without wire protection

Poles	G	T	without wire protection Art. No.	without wire protection GW (glow wire) Art. No.	PU
1	9.5	-	21.340.5153.0	21.340.5157.0	200
2	23	13.5	21.340.5253.0	21.340.5257.0	100
3	36.5	27	21.340.5353.0	21.340.5357.0	50
4	50	40.5	21.340.5453.0	21.340.5457.0	50
5	63.5	54	21.340.5553.0	21.340.5557.0	50
6	77	67.5	21.340.5653.0	21.340.5657.0	50
7	90.5	81	21.340.5753.0	21.340.5757.0	40
8	104	94.5	21.340.5853.0	21.340.5857.0	40
9	117.5	108	21.340.5953.0	21.340.5957.0	20
10	131	121.5	21.340.6053.0	21.340.6057.0	20
12	158	148.5	21.340.6253.0	21.340.6257.0	250

### Type 16 E DS with wire protection

Poles	G	T	with wire protection Art. No.	with wire protection GW (glow wire) Art. No.	PU
1	9.5	-	21.341.5153.0	21.341.5157.0	200
2	23	13.5	21.341.5253.0	21.341.5257.0	100
3	36.5	27	21.341.5353.0	21.341.5357.0	50
4	50	40.5	21.341.5453.0	21.341.5457.0	50
5	63.5	54	21.341.5553.0	21.341.5557.0	50
6	77	67.5	21.341.5653.0	21.341.5657.0	50
7	90.5	81	21.341.5753.0	21.341.5757.0	40
8	104	94.5	21.341.5853.0	21.341.5857.0	40
9	117.5	108	21.341.5953.0	21.341.5957.0	20
10	131	121.5	21.341.6053.0	21.341.6057.0	20
12	158	148.5	21.341.6253.0	21.341.6257.0	250

ACCESSORIES	Art. No.	
Jumper	30 poles	07.256.8027.0
Spacer	1000 mm	07.472.1380.0

Other pole counts available for jumpers & spacers

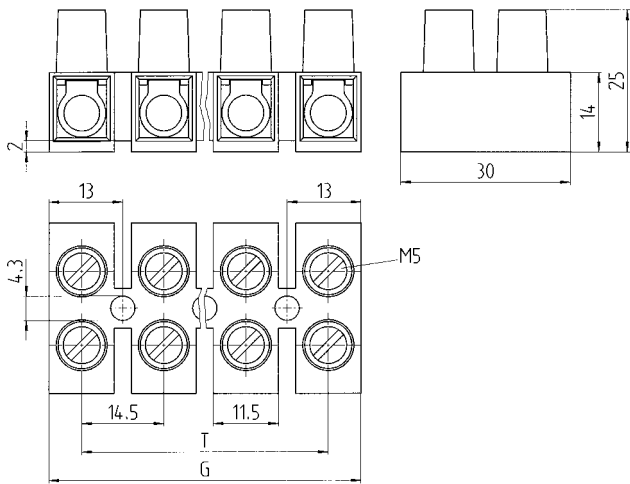
#### TECHNICAL DATA

Screw size	M4					
Wire strip length	7 mm					
<b>Approvals</b>	<b>IEC</b>		<b>RU</b>		<b>SA</b>	
Rated voltage	500 V		300 V		600 V (with spacer)	
Rated current	41 A		65 A (Factory)	40 A (Factory DS)	50 A (Field)	30 A (Field DS)
Rated cross-section	2.5 - 6 mm <sup>2</sup> (Stranded)		2.5 - 6 mm <sup>2</sup> (DS)		40 A	
solid/stranded	2.5 - 10 mm <sup>2</sup>	2.5 - 6 mm <sup>2</sup> (Stranded)	2.5 - 6 mm <sup>2</sup> (DS)		AWG 20-10	
			AWG 22-8		AWG 22-10 (DS)	

Glow wire (GW) parts use a material with higher flame resistance according to DIN EN/IEC 60335-1

# EUROPA TERMINAL STRIPS DIVISIBLE

## TYPE 20 E



### Type 20 E without wire protection

Poles	G	T	without wire protection Art. No.	without wire protection GW (glow wire) Art. No.	PU
1	11.5	-	21.340.3153.0	21.340.3157.0	200
2	26	14.5	21.340.3253.0	21.340.3257.0	100
3	40.5	29	21.340.3353.0	21.340.3357.0	50
4	55	43.5	21.340.3453.0	21.340.3457.0	50
5	69.5	58	21.340.3553.0	21.340.3557.0	50
6	84	72.5	21.340.3653.0	21.340.3657.0	50
7	98.5	87	21.340.3753.0	21.340.3757.0	50
8	113	101.5	21.340.3853.0	21.340.3857.0	50
9	127.5	116	21.340.3953.0	21.340.3957.0	20
10	142	130.5	21.340.4053.0	21.340.4057.0	20
12	171	159.5	21.340.4253.0	21.340.4257.0	250

### Type 20 E DS with wire protection

Poles	G	T	with wire protection Art. No.	with wire protection GW (glow wire) Art. No.	PU
1	11.5	-	21.341.3153.0	21.341.3157.0	200
2	26	14.5	21.341.3253.0	21.341.3257.0	100
3	40.5	29	21.341.3353.0	21.341.3357.0	50
4	55	43.5	21.341.3453.0	21.341.3457.0	50
5	69.5	58	21.341.3553.0	21.341.3557.0	50
6	84	72.5	21.341.3653.0	21.341.3657.0	50
7	98.5	87	21.341.3753.0	21.341.3757.0	50
8	113	101.5	21.341.3853.0	21.341.3857.0	50
9	127.5	116	21.341.3953.0	21.341.3957.0	20
10	142	130.5	21.341.4053.0	21.341.4057.0	20
12	171	159.5	21.341.4253.0	21.341.4257.0	250

ACCESSORIES	Art. No.
Spacer	1000 mm 07.473.1380.0

#### TECHNICAL DATA

Screw size	M5					
Wire strip length	8 mm					
<b>Approvals</b>	<b>IEC</b>					
Rated voltage	500 V			300 V	600 V (with spacer)	
Rated current	57 A			75 A (Factory)	70 A (Field)	65 A (DS)
Rated cross-section						
solid/stranded	4.0 - 16 mm <sup>2</sup>	4.0 - 10 mm <sup>2</sup> (Stranded)	4.0 - 10 mm <sup>2</sup> (DS)	AWG 20-4	AWG 22-6 (DS)	AWG 18-6

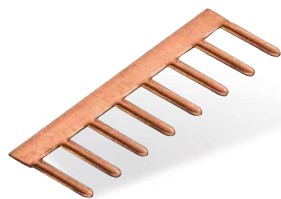
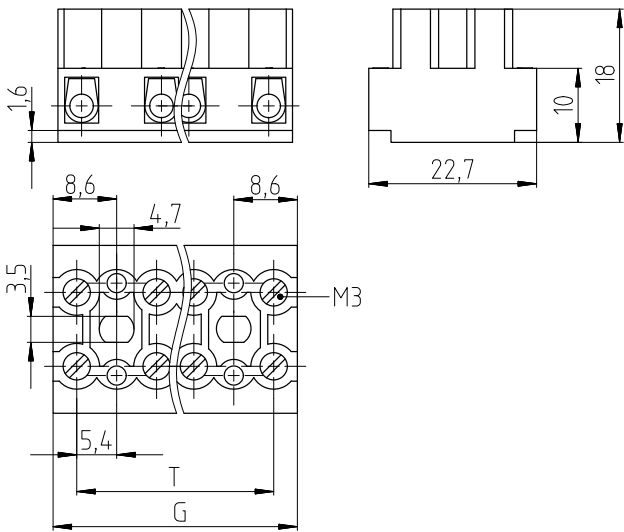
Glow wire (GW) parts use a material with higher flame resistance according to DIN EN/IEC 60335-1



# UNBREAKABLE TERMINAL STRIPS FOR COMPACT SPACES

## TYPE KL 16 PA

Unlike the Europa strips, the KL16 is not intended to be divided into smaller pole counts in the field.



### Type KL 16 PA without wire protection

Poles	G	T	Art. No.	PU
4	33.4	27	29.400.0453.0	65
6	44.2	37.8	29.400.0653.0	50
8	55	48.6	29.400.0853.0	40
12	76.6	70	29.400.1253.0	30
16	98.2	91.8	29.400.1653.0	20
20	119.8	113.4	29.400.2053.0	20

### Type KL 16 PA DS with wire protection

Poles	G	T	Art. No.	PU
4	33.4	27	29.401.0453.0	65
6	44.2	37.8	29.401.0653.0	50
8	55	48.6	29.401.0853.0	40
12	76.6	70	29.401.1253.0	30
16	98.2	91.8	29.401.1653.0	20
20	119.8	113.4	29.401.2053.0	20

ACCESSORIES	Poles	G	Art. No.	PU
Jumper bars of E-Cu	80	428.6	07.250.1627.0	10
Jumper bars of E-Cu	2	7.4	07.250.0027.0	10

#### TECHNICAL DATA

Screw size	M3		
Wire strip length	5.5 mm		
<b>Approvals</b>			
Rated voltage	500 V	250 V	300 V
Rated current	6 kV/3	20 A	25 A
Rated cross-section solid/stranded	1 - 1.5 mm <sup>2</sup> / 1 - 2.5 mm <sup>2</sup>	AWG 22-12	AWG 22-12

# MARKING ACCESSORIES

## Blank Marking Strips BZ for Divisible terminal strips types 4E to 20E



Suitable for types	Poles	Type	Art. No.	PU
4E	2	8130/2BZ	04.033.0080.0	100
4E	12	8130/12BZ	04.033.1080.0	100
4E	1 meter	8130/MBZ	04.033.1180.0	1
6E	2	8006/2BZ	04.030.0080.0	100
6E	12	8006/12BZ	04.030.1080.0	100
6E	1 meter	8006/MBZ	04.030.1180.0	1
16E	2	16E/2BZ	04.090.0280.0	100
16E	12	16E/12BZ	04.090.1280.0	100
16E	1 meter	16E/MBZ	04.090.1380.0	1
20E	2	8016/2BZ	04.080.0080.0	100
20E	12	8016/12BZ	04.080.1080.0	100
20E	1 meter	8016/MBZ	04.080.1180.0	1

Other numbers of poles and markings on request

### Material:

White, roughened plastic, 0.8 mm thick. Permanent temperature up to 70 °C.

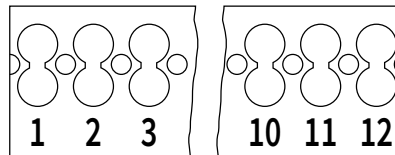
Special plates to mark the terminals of clamping, solder and pluggable terminal strips are available.

They can be marked before or after mounting or wiring of the terminals by using permanent ink felt-tip pens.

### Standard pre-marked strips:

To order standard pre-marked strips, change the part number of the marking strips from 04.0.. to 04.6..

Ex: 04.033.0080.0 Unmarked. 04.633.0080.0 Marked



Standard marking for pre-marked strips (04.633.0080.0)

We can also supply marked plates with normal marking for larger quantities.

## Marking plates for terminal strips type KL 16 PA



Additional fastening pins

White PVC, marking surface (blank) on both sides and four plastic pins polyamide to fasten the marking plate

Poles	G	T	Type	Art. No.	PU
4	33.4	27	BZKL 16/4 Z	Z4.102.0480.0	100
6	44.2	37.8	BZKL 16/6 Z	Z4.102.0680.0	100
8	55	48.6	BZKL 16/8 Z	Z4.102.0880.0	100
12	76.6	70	BZKL 16/12 Z	Z4.102.1280.0	100
16	98.2	91.8	BZKL 16/16 Z	Z4.102.1680.0	100
20	119.8	113.4	BZKL 16/20 Z	Z4.102.2080.0	100

ACCESSORIES	Art. No.	PU
-------------	----------	----

Additional fastening pins	05.592.1152.0	400
---------------------------	---------------	-----

For fixing the marking plate on the terminal please use these fastening pins.

## Marked marking plates for terminal strips type KL 16 PA



Additional fastening pins

White PVC, marking surface (pre-marked) on both sides and four plastic pins polyamide to fasten the marking plate

Poles	Type	Art. No.	PU
4	BZKL 16/4 ZB	Z4.802.0480.0	100
to	to		
20	BZKL 16/20 ZB	Z4.802.2080.0	100

ACCESSORIES	Art. No.	PU
-------------	----------	----

Additional fastening pins	05.592.1152.0	400
---------------------------	---------------	-----

For fixing the marking plate on the terminal please use these fastening pins.



## INFO TO GO

All brochures from Wieland Electric are available for download on our website.



<https://www.wieland-electric.com/en/support/downloads>

Interesting for you



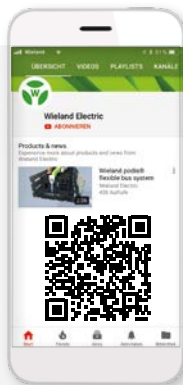
**Direct link to Europa Strips**  
<https://wie.li/eshopeuropastripsen>



**selos® + fasis® Catalog**  
DIN Rail Terminal Blocks with Screw, Tension Spring and Push-In-Connection Technologies  
Part No. 0500.1



**Wieland on YouTube**  
See our solutions in motion



<https://www.youtube.com/user/WielandElectric>



**Technical consultation**  
Industry Solutions

E-mail: [industry@wieland-electric.com](mailto:industry@wieland-electric.com)

Worldwide: <https://wie.li/contactinternational>



## ONLY ONE TAP AWAY

**Our Wieland E-Shop**  
Over 25,000 products - anytime

In our online store you will find all the information about our products, prices, and technical data.

Order easily and conveniently online, and check availability.

<https://eshop.wieland-electric.com>

Scan QR code – view products in the E-SHOP.





# wieland

## HEADQUARTERS

Wieland Electric GmbH  
Brennerstraße 10 – 14  
96052 Bamberg · Germany

---

Phone +49 951 9324-0  
Fax +49 951 9324-198  
info@wieland-electric.com



0555.1 MC 01/23

Represented in over 70 countries worldwide:

[www.wieland-electric.com](http://www.wieland-electric.com)