

# GENERAL PURPOSE POWER RELAY

General purpose power relay  
 For plug-in socket, 35mm DIN rail  
 cURus approved  
 Transparent housing  
 Drop-in replacement for industry standard relays  
 Other voltages on request

## Standard Packaging

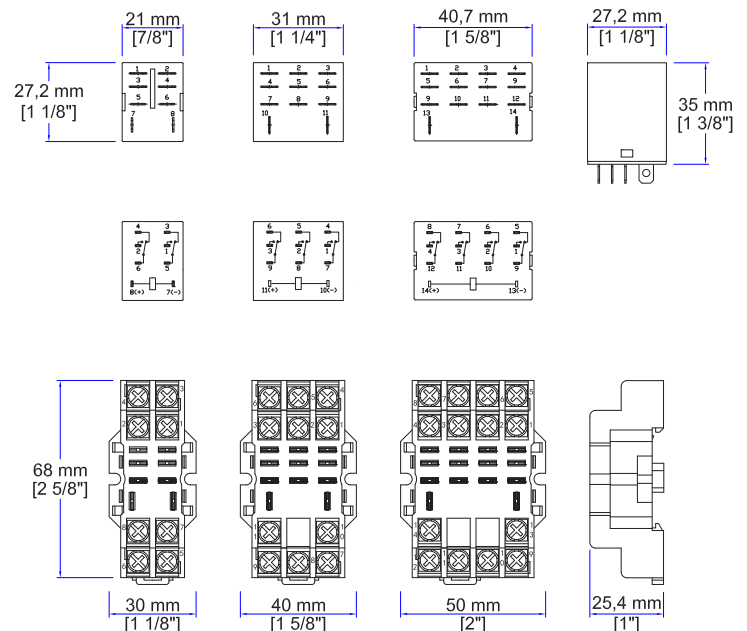
1 or 2 Pole Relay: 20 pcs / box | 30 boxes / carton  
 Socket: 10 pcs / box | 40 boxes / carton

3 or 4 Pole Relay: 10 pcs / box | 30 boxes / carton  
 Socket: 10 pcs / box | 20 boxes / carton



Type	flareSPDT	flare DPDT	flare 3PDT	flare 4PDT
Poles	1 pole	2 pole	3 pole	4 pole
Max. Contact Voltage	240 Vac / 28 Vdc	240 Vac / 28 Vdc	240 Vac / 28 Vdc	240 Vac / 28 Vdc
Max. Contact Current	10A (*15A@125VAC)	10A	10A	10A
Width	21 mm	21 mm	31 mm	41 mm
Approvals				
Coil Voltage				
12 Vdc LED Indication	34.110.0200.0	34.110.0204.0	34.110.0205.0	34.110.0209.0
24 Vdc LED Indication	34.110.0201.0	34.110.0188.0	34.110.0206.0	34.110.0210.0
24 Vac LED Indication	34.110.0202.0	34.110.0185.0	34.110.0207.0	34.110.0211.0
120 Vac LED Indication	34.110.0203.0	34.110.0184.0	34.110.0208.0	34.110.0212.0
Relay Socket DIN rail and panel mount Retaining Clip	34.110.0147.0 34.110.0190.0	34.110.0147.0 34.110.0190.0	34.110.0213.0 34.110.0190.0	34.110.0214.0 34.110.0190.0

Load Rating	15 A @ 240 VAC/28 VDC (1C) 10 A @ 240 VAC/28 VDC (2/3/4C)
MTBF Mechanical	1x10 <sup>7</sup>
MTBF Electrical	1x10 <sup>5</sup>
Operate Time	15 ms (Max)
Release Time	10 ms (Max)
Breakdown Voltage	1500VAC Between Coil & Contact 1000VAC Between Open Contacts
Insulation Resistance	100 MΩ (min)
Contact material	Silver Alloy
Ambient temperature	-20°C to 55°C
Shock Endurance	10 G
Shock Damage	100 G
Vibration Endurance	10 to 55Hz, 1.0mm
Vibration Damage	10 to 55Hz, 1.0mm



# GENERAL PURPOSE POWER RELAY

Pluggable coupling relay  
 cURus  
 10A 277VAC  
 RoHS compliant  
 Other voltages on request

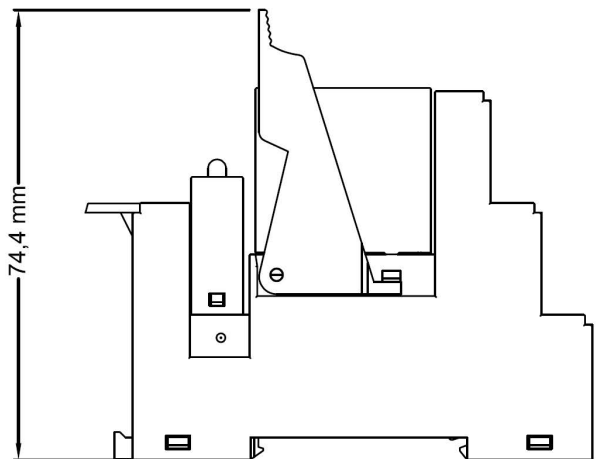
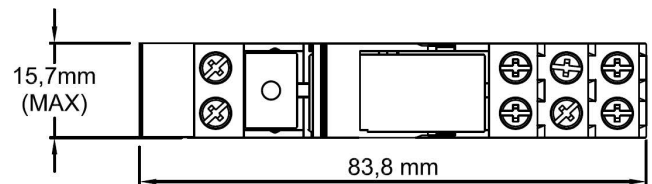
Standard Packaging: Sold assembled with relay in socket, retaining clip, LED indicator. Marking tag included.  
 Package of 20



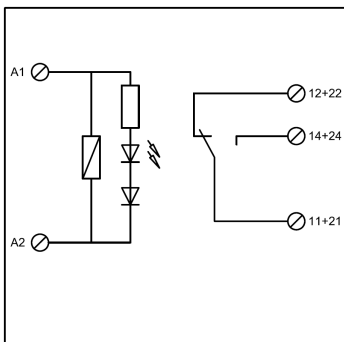
Type	flare KP-1P	flare KP-2P
Poles	1 pole	2 poles
Max. Contact Voltage	277 Vac	277 Vac
Max. Contact Current	10A	10A
Approvals		

Coil Voltage	34.244.0030.0	34.244.0034.0
12 Vdc	34.244.0030.0	34.244.0034.0
24 Vdc	34.244.0031.0	34.244.0035.0
24 Vac	34.244.0032.0	34.244.0036.0
120 Vac	34.244.0033.0	34.244.0037.0
230 Vac		34.244.0038.0

Load Rating	10 A @ 277 VAC
MTBF Mechanical	3×10 <sup>7</sup> operations
MTBF Electrical	1×10 <sup>5</sup> operations
Response Time	15 ms (Max)
Release Time	8 ms (Max)
Voltage Isolation (Relay)	5000VAC Between Coil & Contact 1000VAC Between Open Contacts
Dielectric (socket)	2500V
Contact material	Silver alloy
Ambient temperature	-40°C to 75°C



1C RELAY



2C RELAY

